

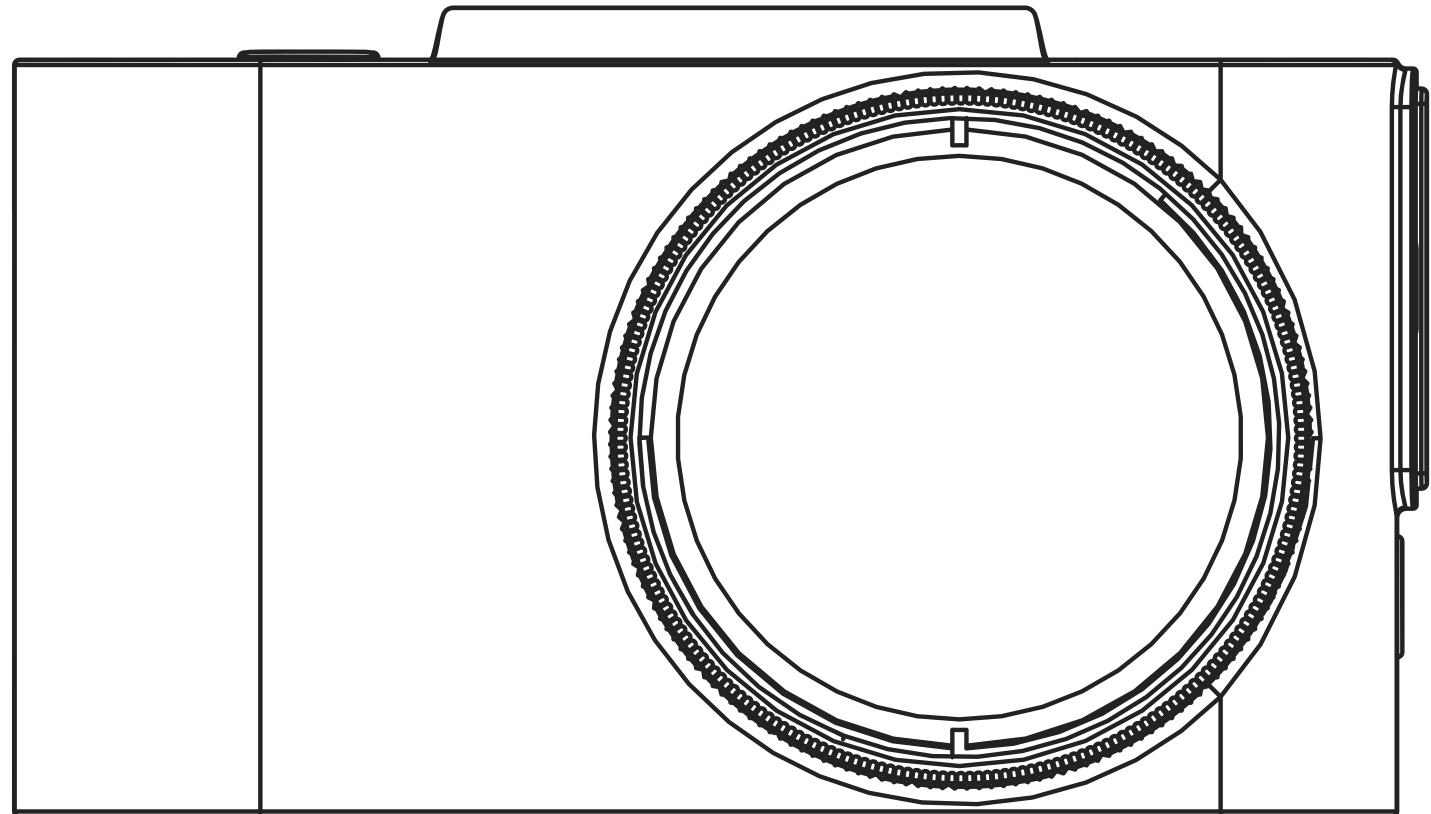
SYLVANIA

ROADSIGHT BASIC BASIQUE | BÁSICA

Dash Camera

Caméra-témoin de circulation

Cámara Delantera



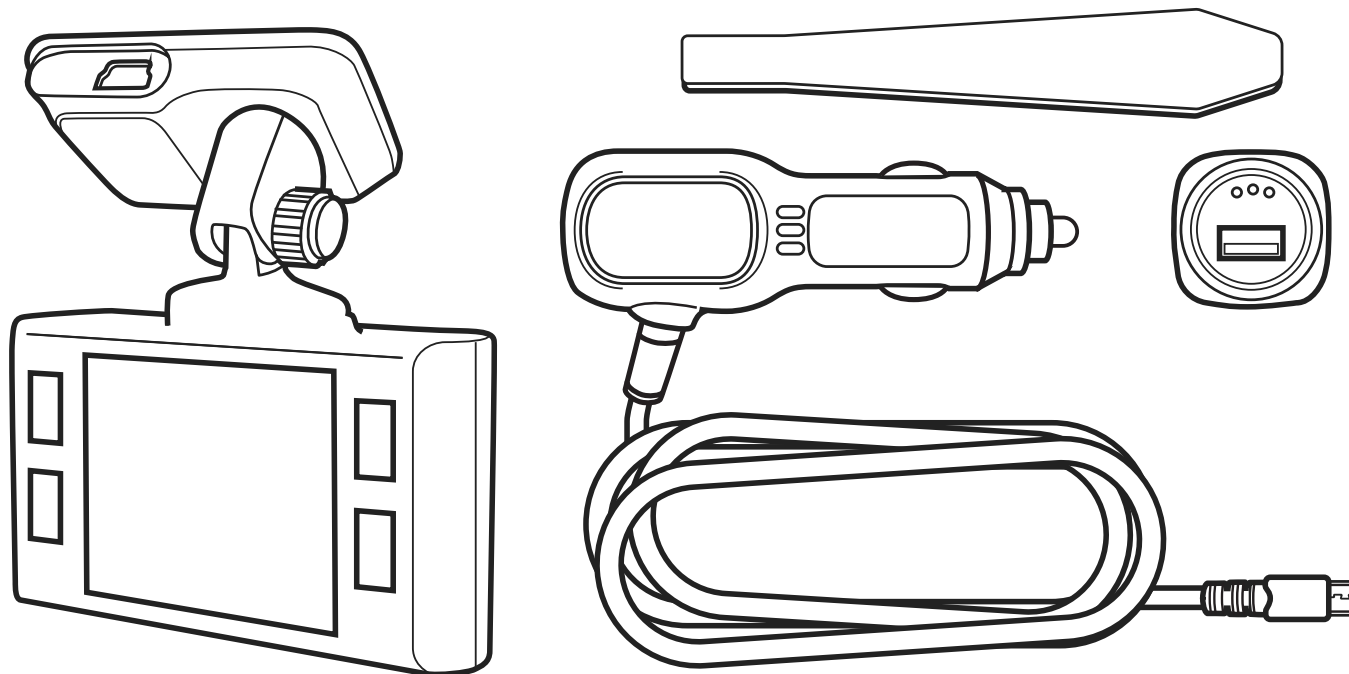
WARNING

The Dash Cam must not be fitted in a position which obscures the driver's view of the road ahead.

Depending on the country of use, recordings made with this device may be subject to Data Protection Laws. Ensure these are complied with. If the dash cam is to be used in a commercial environment e.g. taxi or truck, then CCTV Regulations may apply. Playback of video which is visible to the driver while the vehicle is in motion is prohibited in some countries. Only use the supplied power adapter, otherwise damage may occur to the dash cam. Take care when cleaning the dash cam lens and only use a suitable lens cleaner and a soft cloth. Do NOT expose this product to rain, moisture or water under any circumstances; doing so may result in the risk of electric shock or fire. Do NOT perform servicing other than that contained in the instruction manual, unless you are qualified to do so. When installing in a vehicle, always place the device securely against the windscreen and where possible conceal the power cable under the vehicles interior trim. Make sure that the power cable doesn't interfere with the driver's controls such as the steering wheel, pedals or gear lever. Do NOT mount the dash cam in front of an airbag deployment area or in a position to obscure any interior mirrors. Do NOT operate while driving and only adjust settings or review recordings while not driving.

PACKAGE CONTENTS

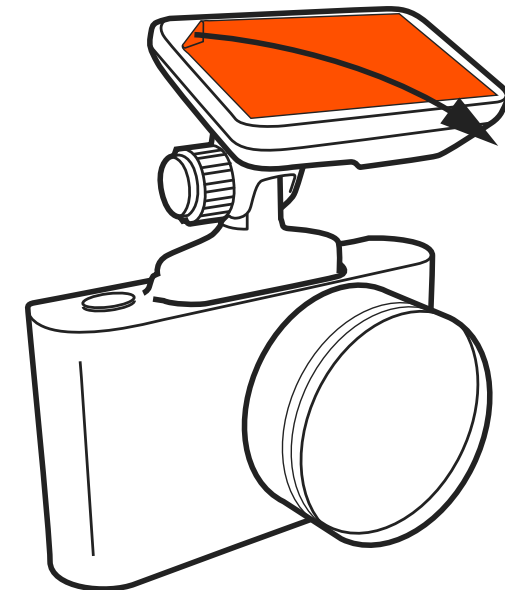
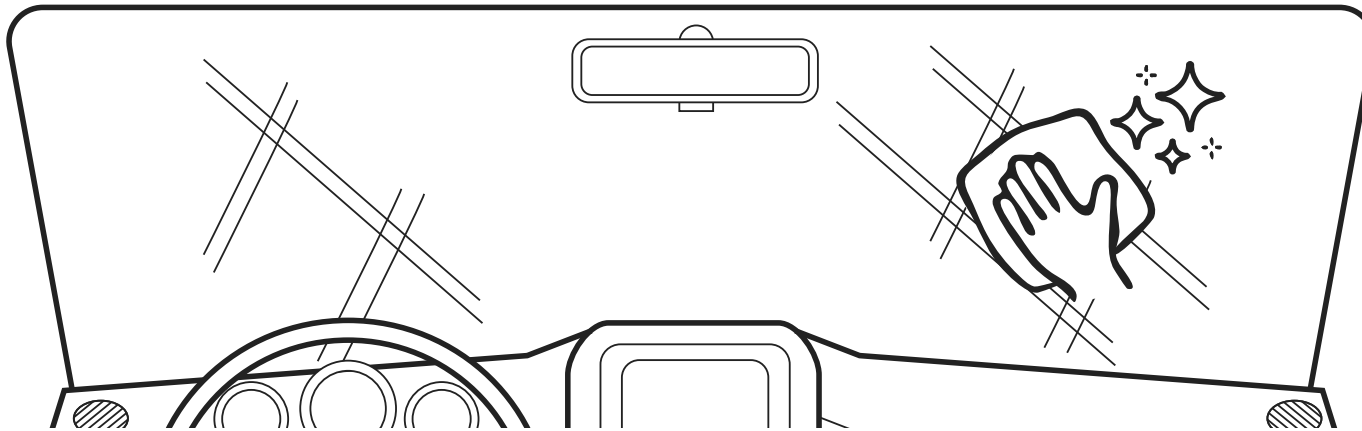
- 1 Dash Cam
- 2 Quick Start Guide
- 3 Magnetic Mount
- 4 USB Charging Cable
- 5 Trim Removal Tool
- 6 Window Sticker





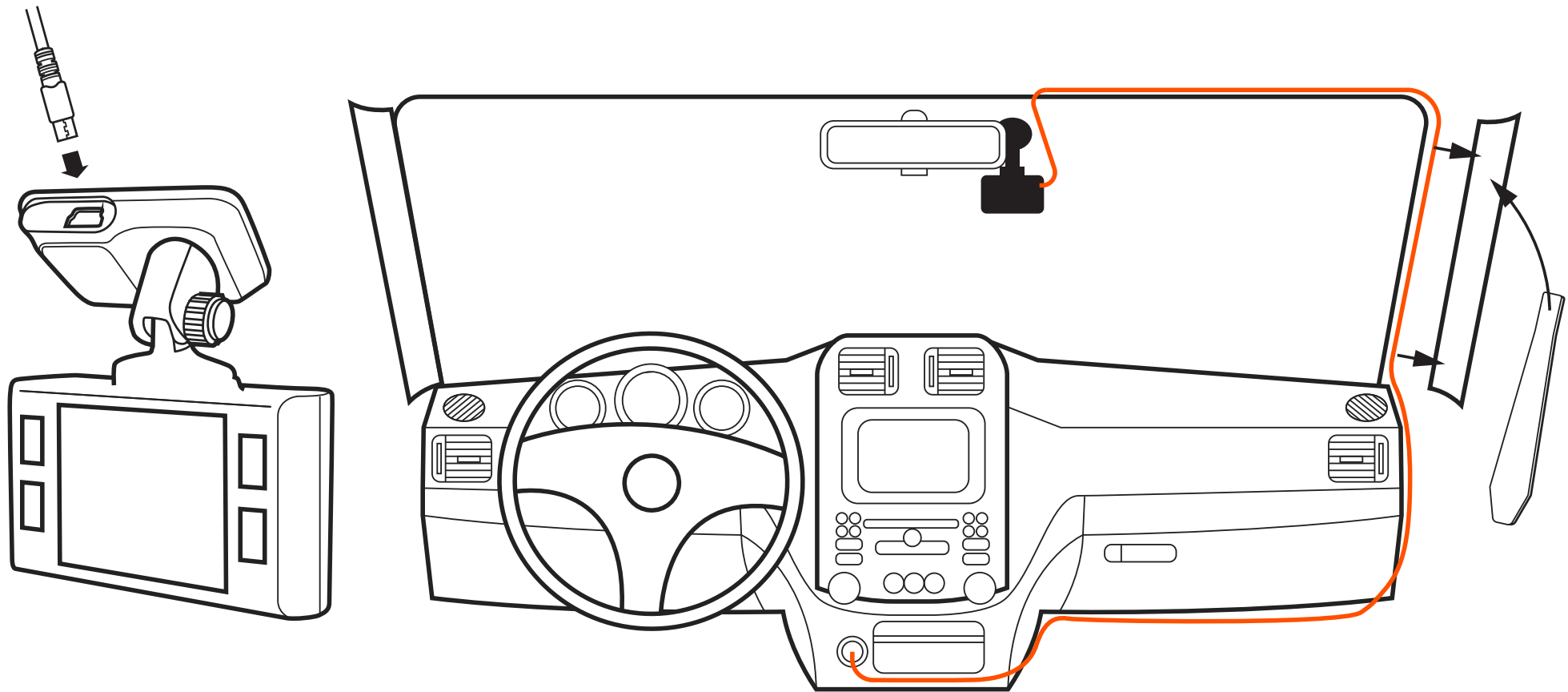
ATTENTION! Choose the installation location in advance, as the adhesive tape on the mount is of single use.

- 1** Ensure glass is dirt, dust and grease free.
- 2** Warm adhesive pad part of mount in hands to ensure strong adhesion to glass.
- 3** Once mount has been positioned connect dash camera to the magnetic mount.



To power the device and charge the battery, use only the power adapter included. Connect the power cable to the mount, and then plug the USB charger into the vehicles 12v power socket.

When the vehicle's engine starts, the device turns on automatically.



ADJUSTING VIEWING ANGLE



ATTENTION! Adjusting the viewing angle can only be done along the vertical axis, so be sure to position the device correctly on the windshield along the horizontal axis as close as possible to the windshield's center.

While pulling or pushing the device in the holder, ensure that the camera captures the image in proportions of 30% sky / 70% road.



GOOD



BAD

CONFIGURATION



Power Button: Press to turn the device on. Press and hold to turn the device off.



Menu Button: Use this button to switch between the video, photo and playback. Press this button during recording to take picture.



Up Button: Press to move up the menu. In the VIDEO and PHOTO mode, press and hold to zoom in; in Playback mode, use to select a file.



Down Button: Press to move down the menu. In the VIDEO and PHOTO mode, press and hold to delete the image (if you used zoom + before); in the Playback mode, press to select a file.



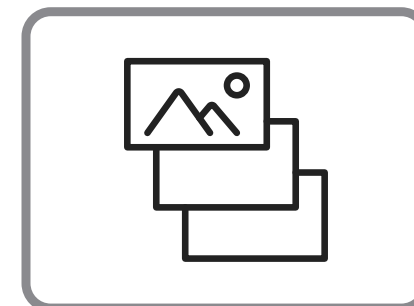
Rec Button: Press to start/stop recording. When in the menu, use to confirm the selected menu item.



Reset Button (on bottom of camera): Press to reboot, if no other button responds.

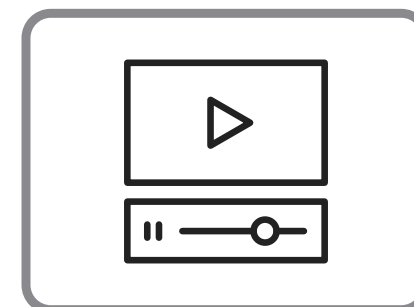
PHOTO MODE

Stop recording and then press and hold Menu button for 2 seconds to enter Photo Mode. Press Rec to capture image.



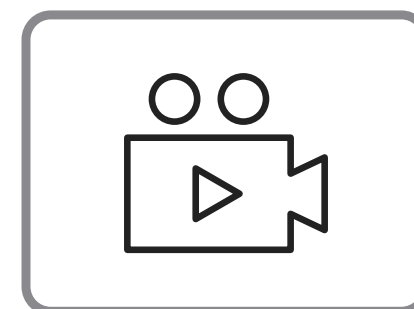
PLAYBACK MODE

When in Photo Mode press and hold the Menu button for 2 seconds to enter Playback Mode. Press the Up and Down button to choose video playback or image viewer. Press Ok button to play selected video. Press and hold the Menu button for 2 seconds to exit Playback Mode.



MENU OPTIONS

Stop recording then press Menu key once to enter Menu options and using Up and Down button to set the options, press Rec to confirm.



INSTALLING microSD CARD

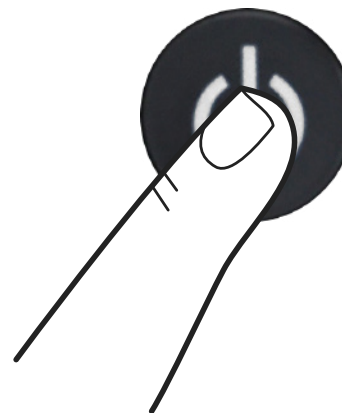
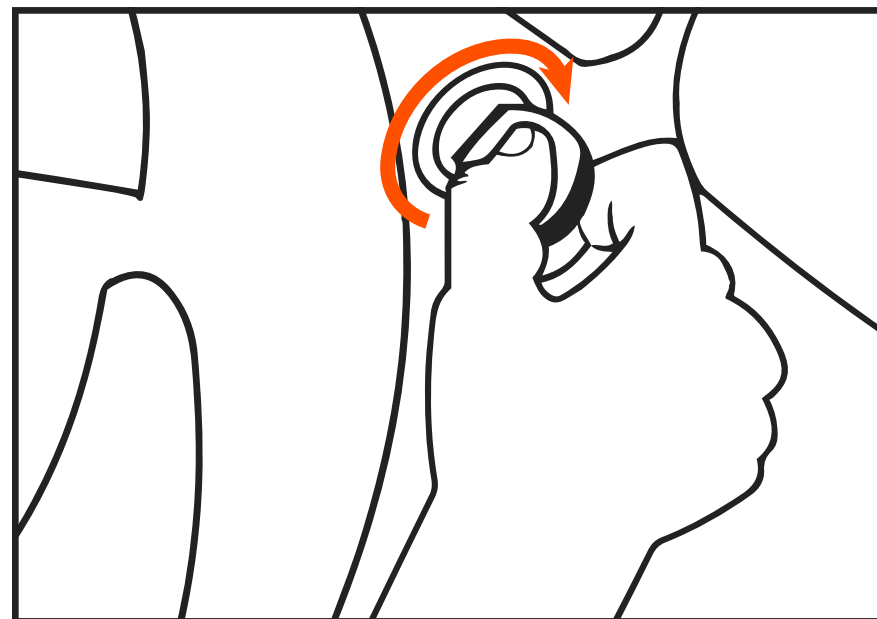
- 1** Before installing a memory card, make sure the device is turned off.
- 2** Insert the memory card until it clicks into place.
- 3** Removing a card: press the card slightly and then remove it from the slot.



WARNING! Do not apply excessive force when inserting a memory card to avoid damage to the device. If necessary, use a thin pointed device to push the card further. To remove the memory card, push the card until it clicks and remove the card from the slot.

TURNING ON / OFF

- When the vehicle ignition is turned ON the dash cam turns on automatically.
- To turn the device on manually, press the power button.
- To turn the device off press and hold the power button for approx. 3 seconds.



LOOP RECORDING

- 1 Insert the microSD card into the memory card slot; the Loop Recording mode is set to 3 minutes as default.
- 2 When the memory card storage is full, the device will automatically replace the oldest video file with the newest one; exception is the files protected from deletion.



EMERGENCY RECORDING

- 1** Emergency recording is to protect the current video file from being overwritten and deleted.
- 2** Emergency recording is activated automatically when the G-sensor triggers (sudden acceleration / deceleration), or at point of collision. Emergency recording is locked automatically to avoid erasing during loop recording.



RECORDING PLAYBACK

1 Playback (ensure dash cam recording has stopped).

- In the standby mode, press and hold the MENU button to switch between Video & Photo.

2 Video & Photo Mode.

- Select the file to view using the Up / Down and Confirm buttons.
- Using the Up / Down buttons, select the file you need to view and click the Confirm button to start playback.



DELETE FILES

- 1 Press the Menu button to enter the submenu (ensure dash cam recording has stopped).
- 2 Use the Up / Down buttons to select Delete and press the Rec button.
- 3 Select the option to delete all files/one file, then confirm your choice by following the instructions on the display.



ATTENTION! Locked files can only be deleted when unlocked; to unlock them, use the Lock item of the submenu in the Playback mode. Another way to delete locked files is to format the memory card all data from memory card will be deleted!

WARNING! Deleted files cannot be restored. Backup necessary files before proceeding with deletion.



GENERAL SETTINGS

To access General Settings, press the Menu Button once from the Home screen.

Video Resolution: Select required option (the highest option provides the optimum viewing performance).

Loop Recording: 3 or 5 minutes

Record Audio: OFF / ON

Time & Date Stamp: OFF / ON

G-Sensor: OFF / LOW / MEDIUM / HIGH

Parking Mode: OFF / ON

License Plate: OFF / ON



LICENSE PLATE

When choosing ON, you will be prompted to enter in your license plate number. The license plate number will display on your recording



ADVANCED SETTINGS

To access Advanced Settings, press the Menu Button twice from the Home screen.

Screen Saver:

OFF / 30 Seconds / 1 Minute / 2 Minute

Device Sounds: OFF / ON

Language: Select the preferred menu language from the list.

Date / Time: Adjust for correct Date and Time.

Format: Before using camera, format SD card for optimal performance.

Default Setting: Reset the camera to its original configuration.

Version: Shows installed firmware version, and where to get updates.



FAILURE TO PHOTOGRAPH/RECORD VIDEO

Check if there is enough free space on the micro SD card.

RECORDING HAS STOPPED

Too many video files stored. Only use at least class 10 U1 high-speed micro SD cards by proven manufacturers.

When you try to view a photo/play a video file, the “wrong file” message appears.

File writing failure due to micro SD card file system error. Format the micro SD card.

BLURRED IMAGE

Ensure removal of lens sticker. Check for dirt on the lens. If there is any, wipe the lens with a soft cloth before use (it is recommended to use special care products for the optics in order not to damage the surface of the lens).

HANG UP (NO IMAGE, NO BUTTON RESPONSE)

Press the RESET button to reboot the device.

UPDATING FIRMWARE

- 1** Download the firmware file at www.sylvania-automotive.com/firmware and extract the file from the archive.
- 2** Format the memory card and transfer the extracted file to the micro SD memory card.
- 3** Insert the memory card with the downloaded file into the dash cam slot.
- 4** Connect the device to a power source and turn it on.
- 5** The indicator light will flash while the firmware file is being downloaded to the device.
- 6** Upon completion of the process, the device will reboot automatically.
- 7** Check in the settings menu if the correct firmware version is displayed.
- 8** Format the memory card with the dash cam menu.



ATTENTION! If the memory card is not formatted after the update, the update process will be started again the next time it is turned on.

ATTENTION! Do not turn off the dash cam power during the firmware update.

FEATURES

STEALTH

Greatest Image
Quality

1440P

Full HD at 30 FPS

140°

Field of View

128GB

Memory Size*

20 HRS

Record
Time**

PRO

Most Features

1296P

Full HD at 30 FPS

130°

Field of View

64GB

Memory Size*

12 HRS

Record Time**

PLUS

Better Vision

1080P

Full HD at 30 FPS

120°

Field of View

32GB

Memory Size*

6 HRS

Record Time**

BASIC

720P

Full HD at 30 FPS

110°

Field of View

32GB

Memory Size*

3 HRS

Record Time**

* Maximum allowable memory card size.

** Max record time dependent on screen resolution, memory card size, and rear camera attachment.

POWER REQUIREMENTS



ATTENTION! Once there is no external power input, the battery cannot support recording for a long time, please make sure power supply is connected when recording .

Input voltage: 5VDC, 1.5A

Charging input voltage: 12-24VDC

Mini USB Connection for Power

OPERATING TEMPERATURES (all models)

Storage temperature: -4° F to 158° F (-20° C to 70° C)

Operating temperature: 14° F to 140° F (-10° C to 60° C)

PLEASE RECYCLE YOUR SPENT BATTERIES

Batteries should not be disposed of in unsorted municipal waste, but separately collected to facilitate the correct treatment and recycling of the substances they contain. The recycling of batteries ensures the recovery of these valuable materials and prevents any potentially harmful effects upon both the environment and human health.